

Справ. №

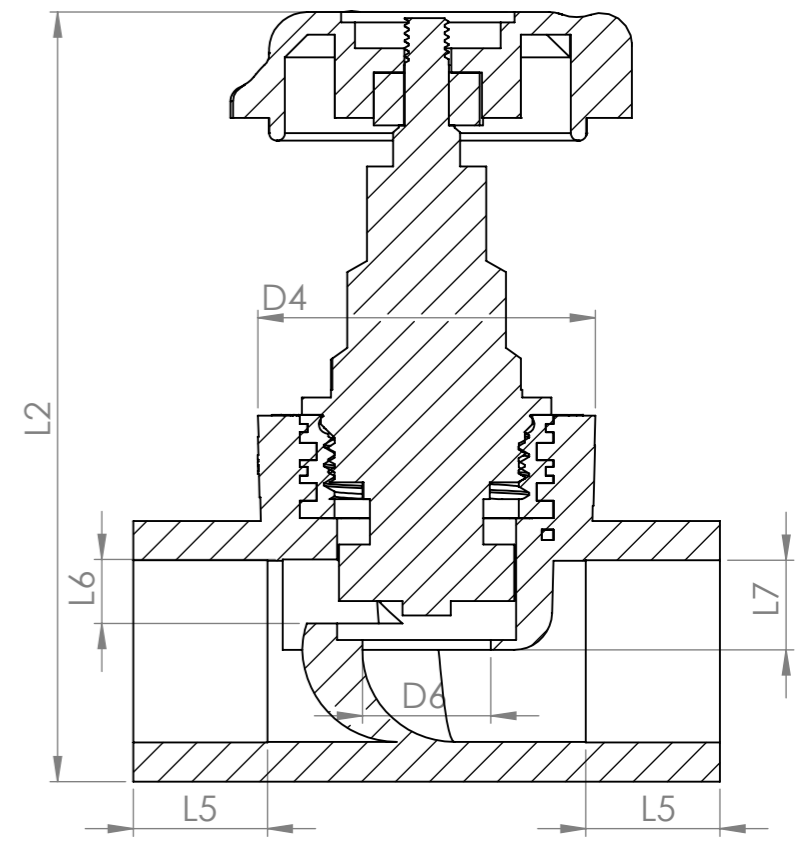
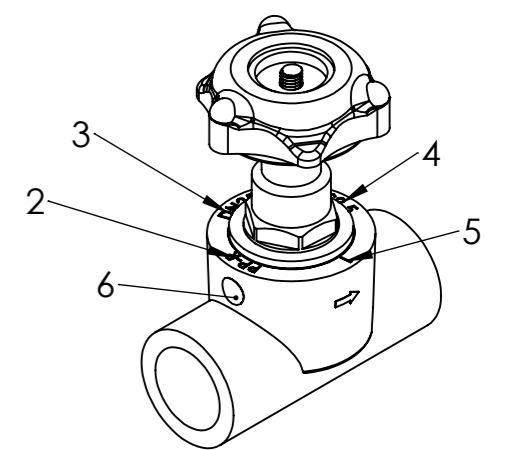
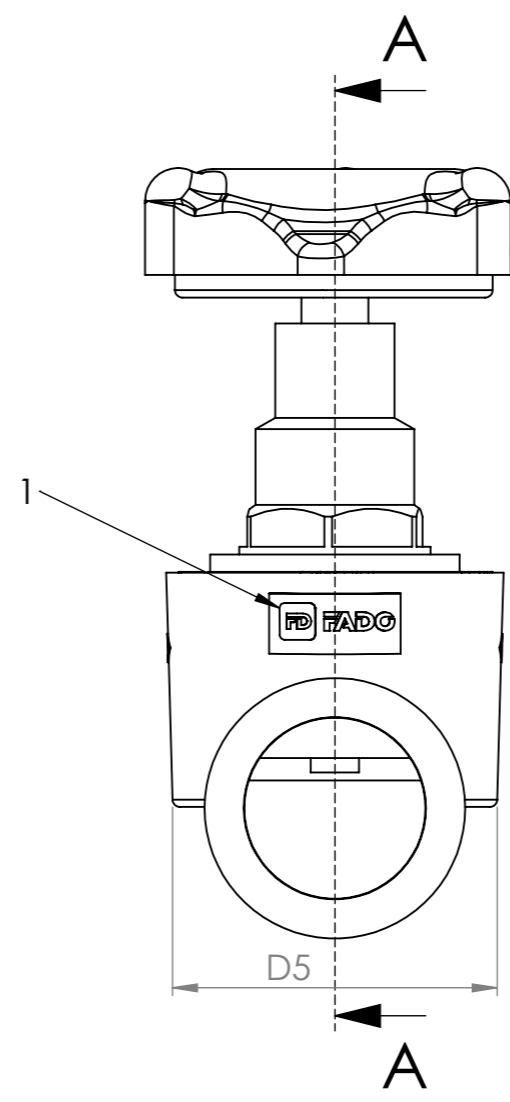
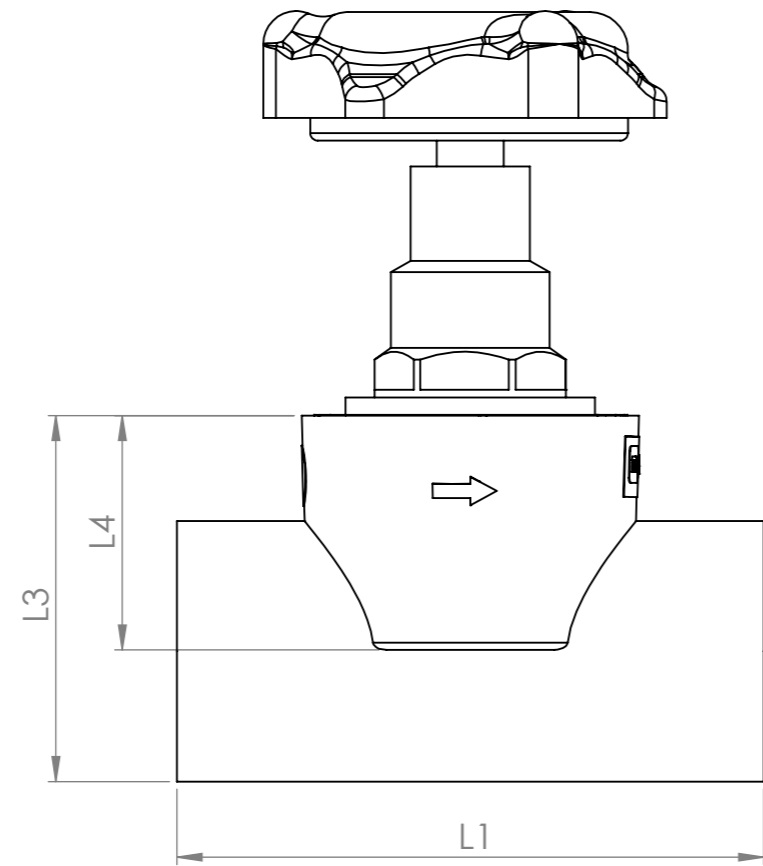
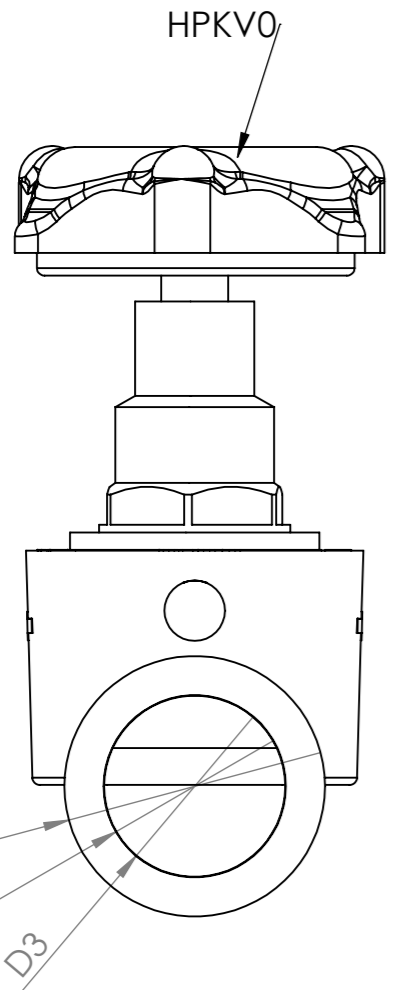
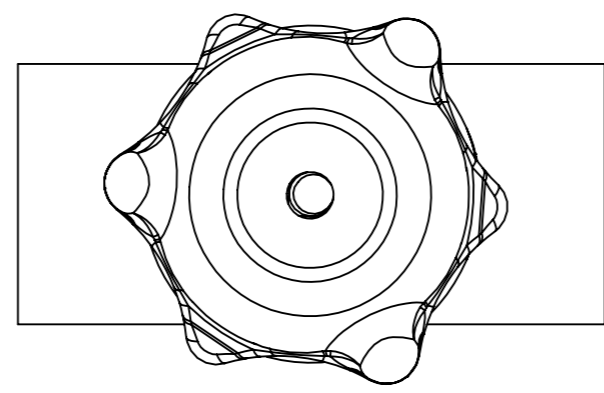
Подп. и дата

Инв. № дубл.

Взам. инв. №

Подп. и дата

Инв. № подл.



SECTION A-A
SCALE 1 : 1

Marking on plastic body :

1. FADO logo
2. Material type: PP-R
3. Size
4. SDR type :S2.5
5. Cavity number
6. Date of production

Forbidden any scratches, burrs, shrinkage, injection gate on surface. Forbidden any air cavity in plastic volume.
All not marked tolerance according to DIN ISO 20457. Part should conform EN ISO 15874-3 °

| Art | D1 | D2 | D3 | D4 | D5 | D6 | L1 | L2 | L3 | L4 | L5 | L6 | L7 | WEIGHT BRASS | WEIGHT FULL |
|-------|-------|------|-------|-------|-------|-------|-------|--------|-------|------|-------|------|------|--------------|-------------|
| PKV01 | 28.15 | 19 | 17.6 | 36.9 | 34,65 | 12.85 | 66.35 | 88 | 40 | 26.1 | 15.85 | 5.5 | 7.3 | 104.5 | 154 |
| PKV02 | 34.15 | 24.1 | 23.95 | 44.6 | 42,95 | 17 | 77.6 | 101.75 | 48.22 | 31 | 17.75 | 8,3 | 12,5 | 158.4 | 224 |
| PKV03 | 42.95 | 31 | 27.55 | 45.25 | 42.45 | 18 | 80 | 106.13 | 55.65 | 33.9 | 20.15 | 10.3 | 11.7 | 157.9 | 236 |

| | | | | |
|-----------|------|----------|-------|------|
| Изм. | Лист | № докум. | Подп. | Дата |
| Разраб. | | | | |
| Пров. | | | | |
| Т. контр. | | | | |
| Н. контр. | | | | |
| Утв. | | | | |

| | | | |
|--------------------------|--------|---------|--|
| PKV0_GEN STOP VALVE FADO | | | |
| Лит. | Масса | Масштаб | |
| PKV0_GEN | | | |
| Лист | Листов | | |
| | | | |